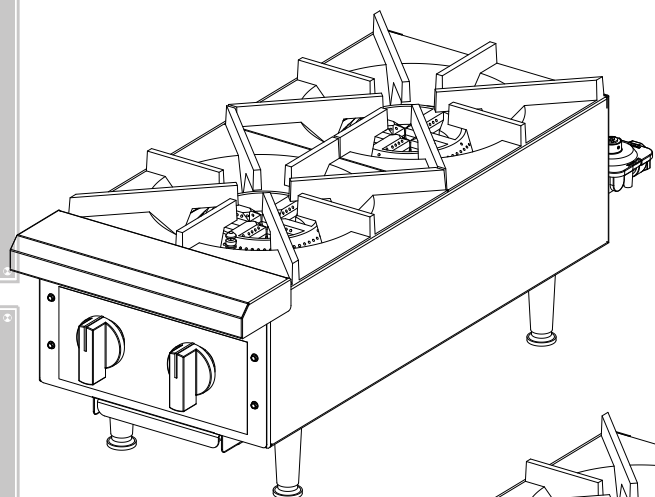




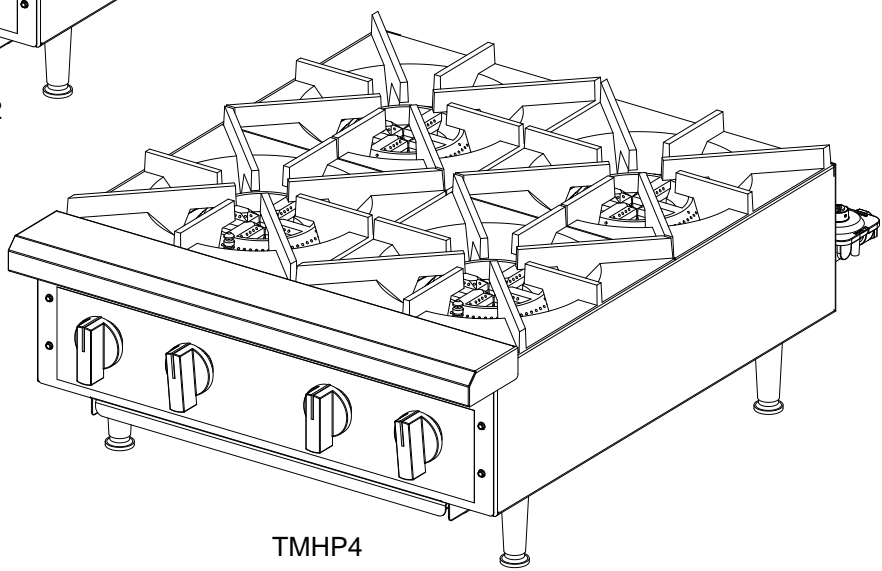
GAS HOT PLATES

Models

TMHP2, TMHP4, TMHP6



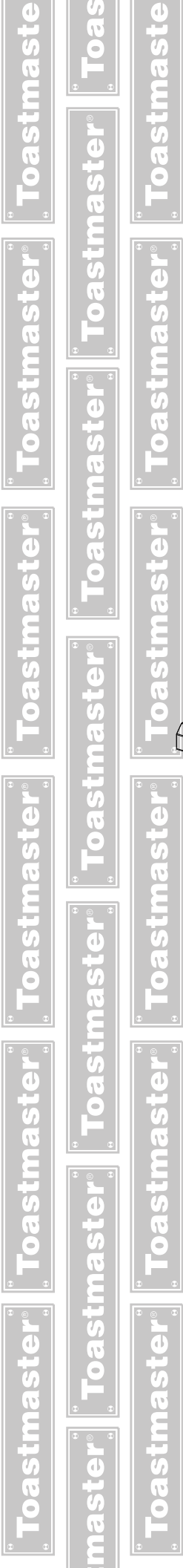
TMHP2



TMHP4

Installation and Operation Instructions

2M-Z12969 Rev. - March 13, 2013



SAFETY SYMBOLS



These symbols are intended to alert the user to the presence of important operating and maintenance instructions in the manual accompanying the appliance.



RETAIN THIS MANUAL FOR FUTURE REFERENCE

NOTICE

Using any part other than genuine Toastmaster factory supplied parts relieves the manufacturer of all liability.

Toastmaster reserves the right to change specifications and product design without notice. Such revisions do not entitle the buyer to corresponding changes, improvements, additions or replacements for previously purchased equipment.

Due to periodic changes in designs, methods, procedures, policies and regulations, the specifications contained in this sheet are subject to change without notice. While Toastmaster exercises good faith efforts to provide information that is accurate, we are not responsible for errors or omissions in information provided or conclusions reached as a result of using the specifications. By using the information provided, the user assumes all risks in connection with such use.

MAINTENANCE AND REPAIRS

Contact your local authorized service agent for service or required maintenance.

Please record the model number, serial number, voltage and purchase date in the area below and have it ready when you call to ensure a faster service.

Model No. _____
Serial No. _____
Voltage _____
Purchase Date _____

Authorized Service Agent Listing

Reference the listing provided with the unit

OR

for an updated listing go to:

Website: www.star-mfg.com
E-mail Service@star-mfg.com
Telephone: (800) 264-7827 Local (314) 678-6347

The Service Help Desk

Business Hours: 8:00 am to 4:30 p.m. Central Standard Time

Telephone: (800) 264-7827 Local (314) 678-6347

Fax: (800) 396-2677 Local (314) 781-2714

E-mail Parts@star-mfg.com
Service@star-mfg.com
Warranty@star-mfg.com

Website: www.star-mfg.com

Mailing Address: Toastmaster
10 Sunnen Drive
St. Louis, MO 63143
U.S.A

GENERAL INSTALLATION DATA



This equipment is designed and sold for commercial use only by personnel trained and experienced in its operation and is not sold for consumer use in and around the home nor for use directly by the general public in food service locations. For equipment to be used by the general public, please contact the factory.

This gas appliance is equipped for the types of gas indicated on the nameplate mounted on the front panel. It is shipped adjusted for use on natural gas.

The installation of the Appliance should conform to the NATIONAL FUEL GAS CODE "ANSI Z223.1 - LATEST EDITION" AND ALL LOCAL GAS COMPANY RULES AND REGULATIONS.

IN CANADA INSTALLATION SHALL BE IN ACCORDANCE WITH THE CURRENT CAN/CGA-B149.1 NATURAL GAS INSTALLATION CODE OR CAN/CGA-B149.2 PROPANE INSTALLATION CODE AND LOCAL CODES WHERE APPLICABLE.

WARNING: Improper installation, adjustment, alteration, service or maintenance can cause property damage, injury or death. Read the installation, operating and maintenance instructions thoroughly before installing or servicing the equipment.

FOR YOUR SAFETY

DO NOT STORE OR USE GASOLINE OR OTHER FLAMMABLE VAPORS AND LIQUIDS IN THE VICINITY OF THIS OR ANY OTHER APPLIANCE. KEEP THE APPLIANCE AREA CLEAR AND FREE FROM COMBUSTIBLES.

This appliance, its pressure regulator and its individual shutoff valve must be disconnected from the gas supply piping system during any pressure testing of that system at test pressures in excess of 1/2 PSIG. This appliance and its pressure regulator must be isolated from the gas supply piping system by closing its individual manual shutoff valve during any pressure testing of the gas supply piping system at test pressures equal to or less than 1/2 PSIG. For your protection, we recommend a qualified installing agency install this appliance. They should be familiar with gas installations and your local gas requirements. In any case, your gas company should be called to approve the final installation. In addition, there should be posted, in a prominent location, detailed instructions to be followed in the event the operator smells gas. Obtain the instructions from the local gas supplier.

LEVELING UNIT

Units are shipped with feet detached. To attach feet, remove the grates, lay unit on it's side and screw feet into sockets on bottom. Level unit by adjusting the (4) feet which have an adjustment of 1-3/4" for accurate and perfect line-up with other Star-Max series units.



DO NOT REMOVE FEET.

GAS PIPING

Gas piping shall be new, clean and of such size and so installed as to provide a supply of gas sufficient to meet the full gas input of the appliance. If the appliance is to be connected to existing piping, it shall be checked to determine if it has adequate capacity. Joint compound (pipe dope) shall be used sparingly and only on the male threads of the pipe joints. Such compounds shall be resistant to the action of L.P. gases. **WARNING:** Any loose dirt or metal particles which are allowed to enter the gas lines on the appliance will damage the automatic valve and affect its operation. When installing this appliance, all pipe and fittings must be free from all internal loose dirt.

CLEARANCE

Minimum wall clearances for the sides and back of the models contained in this manual shall be as follows:

| | Combustible Wall | Non-Combustible Wall |
|------------------|-----------------------------|---------------------------------|
| Hotplates | 9" | 0" |

PRESSURE REGULATOR

A convertible pressure regulator set at 6" water column for use on natural gas is furnished. (For LP models the regulator is set for 10" water column pressure.) Attach the regulator to the supply pipe, located at the back of the unit, make sure gas flow arrow on regulator is pointing towards manifold. The gas supply is then connected to the regulator. A 1/8" tap is furnished on the manifold for checking pressure. The manifold is accessible by removing the front panel.

MANUAL SHUT OFF VALVE

A manual shut off valve should be installed upstream from the unit and within six feet of the appliance, and is not provided.

CONNECTING GAS SUPPLY LINE

The gas inlet on this appliance is sealed at the factory to prevent entry of dirt. Do not remove this seal until the actual connection is made to the gas supply line.

CHECKING FOR GAS LEAKS

Soap and water solution or other material acceptable for the purpose, shall be used in locating gas leakage. Matches, candle flame or other sources of ignition shall not be used for this purpose.

AIR SUPPLY

Provisions for adequate air supply must be furnished.

AIR INTAKES IN BOTTOM

Make certain the air intake openings in the bottom of the appliance are not obstructed. They are essential for proper combustion and operation of the appliance.

EXHAUST CANOPY

It is essential that facilities be provided to carry off fumes and gases.

GAS INPUT OF OPEN TOP RANGES

For Natural Gas: Regulator output pressure set at 6" water column.

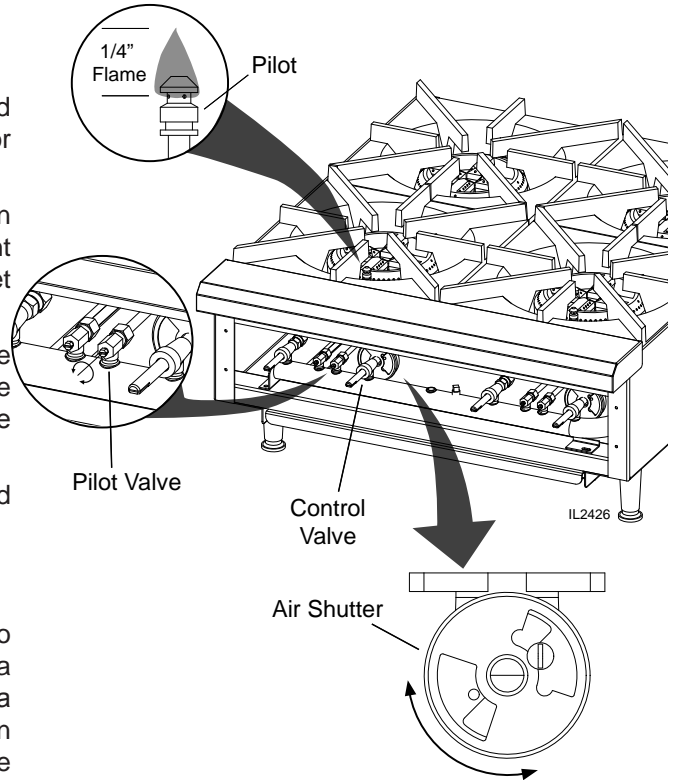
For Propane Gas: Regulator output pressure set at 10" water column.

Note: The appliance is equipped with natural gas orifice hoods. A separate set of hoods will be provided for use on propane gas. The propane hoods are located on the front panel. Factory set LP models do not include the natural gas hoods.

LIGHTING INSTRUCTIONS

The appliance is equipped with standing pilots; each pilot is located in front of the burner on Models TMHP2, TMHP6. Pilots should be lighted immediately after the gas is turned on by the manual shutoff valve.

1. Turn control knobs to "OFF" position.
2. Light pilot with a lighted taper.
3. The pilot valves are located on the manifold installed at the front of the unit behind the front panel. For access to the valves
4. Loosen the set screws securing the knobs in position, and remove the knobs. Remove the front panel, which is attached to the frame with 4 sheet metal screws.
5. Turn the adjustment screws on the front of the pilot valves. The pilots should be adjusted to blue short flame (1/4" high) to have good ignition to the burners. Repeat for remaining pilots.
6. If the pilot(s) is out turn off gas, wait 5 minutes and repeat steps (1) through (5).



ADJUSTING BURNERS

7. With control valve for the front burner turned to full "ON" position, close the air shutters to give a soft blue flame having luminous tips and open to a point where the yellow tips disappear, then tighten the locking screws. Repeat this procedure with the remaining burners.
8. Install the front panel to the front of the frame & reconnect and secure the knobs back into position.

ADJUSTING UNIT FOR USE ON PROPANE GAS

Units are shipped with orifices and pressure regulator for operation with natural gas (6" water column). To convert unit from natural to propane gas follow these instructions

1. Set regulator outlet pressure to 10" water column. A 1/8" pipe plug on the manifold can be removed for attaching a pressure gauge. Remove the slotted cover from the pressure regulator and invert the plug. Replace the cover on the regulator and plug on the manifold. Regulator is now set at 10" W.C.
2. Remove natural gas orifices, #46 for all models, and install propane orifices, painted black, (#54 for all models except) located in a bag on the outside of the front panel. In order to remove natural gas orifices:
 - a. Remove grates and burners.
 - b. Remove orifices from the manual valves and from fittings on extended gas pipes, replace with the propane orifices.
 - c. Install burners and grates.

OPERATING PROCEDURE

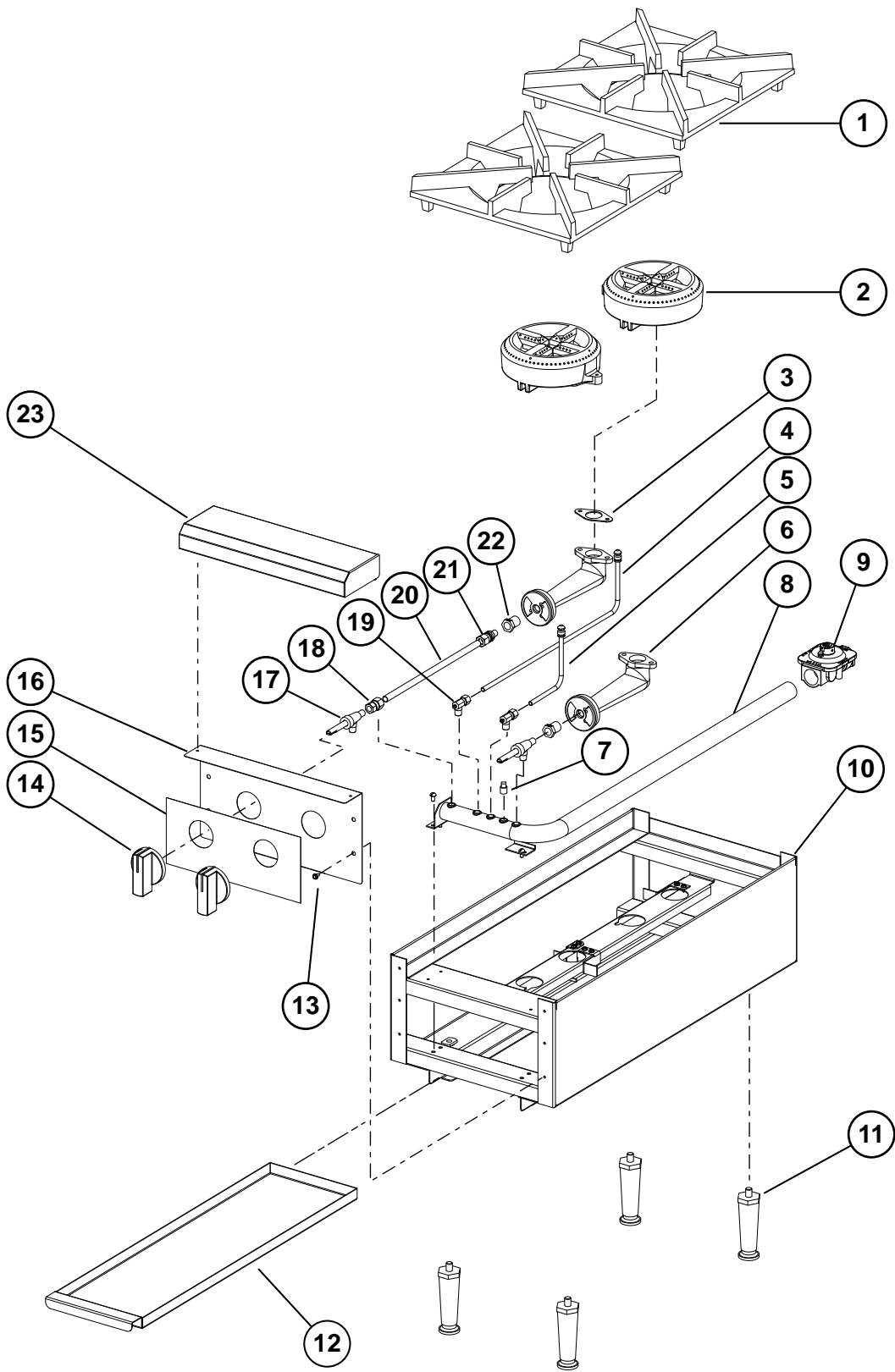
Each burner will deliver up to 22,000 BTU/HR of heat on all models and is controlled by a manual On/Off valve. The right control knob controls the front burner and the left control knob controls the rear burner on all models. After the pilot is once lit and adjusted, the burners will ignite automatically by turning the control knob to any position between On and Off.

CLEANING THE EXTERIOR (Stainless Steel Only)

The exterior surface can be kept clean and attractive by regularly wiping it with a clean soft cloth. Any discoloration can be removed with a non-abrasive cleaner. The burner grates and trough tray can be removed for cleaning.

MAINTENANCE AND REPAIRS

Contact the factory or one of its representatives or a local service company for service or maintenance if required.



MODEL: TMHP2, TMHP4, TMHP6
 Gas Hotplates



PARTS LIST

October 1, 2008, Rev -

MODEL: TMHP2, TMHP4, TMHP6, Gas Hotplates

| FIG No. | Part No | Qty | Description | Application |
|---------|-----------|-----|---------------------------|-------------|
| 1 | 2F-Z0637 | 2 | CASTING | TMHP2 |
| | | 4 | | TMHP4 |
| | | 6 | | TMHP6 |
| 2 | 2F-Z0615 | 2 | BURNER 7" ROUND | TMHP2 |
| | | 4 | | TMHP4 |
| | | 6 | | TMHP6 |
| 3 | 2I-Z0752 | 2 | GASKET-BURNER | TMHP2 |
| | | 4 | | TMHP4 |
| | | 6 | | TMHP6 |
| 4 | I4-602014 | 1 | PILOT TUBE ASSY LONG | TMHP2 |
| | | 2 | | TMHP4 |
| | | 3 | | TMHP6 |
| 5 | I4-602013 | 1 | PILOT TUBE ASSY SHORT | TMHP2 |
| | | 2 | | TMHP4 |
| | | 3 | | TMHP6 |
| 6 | 2F-Z0747 | 2 | VENTURI SHORT CASTING | TMHP2 |
| | | 4 | | TMHP4 |
| | | 6 | | TMHP6 |
| 7 | 2P-1453 | 1 | PLUG-PIPE 1/8NPT SQ HD | ALL |
| 8 | 2J-602012 | 1 | MANIFOLD ASSEMBLY | TMHP2 |
| | 2J-604002 | | | TMHP4 |
| | 2J-606002 | | | TMHP6 |
| 9 | 2J-Z0792 | 1 | REGULATOR | TMHP2 |
| 10 | I8-TC0010 | 1 | BASIC ASSY HOTPLATE 12" | TMHP2 |
| | I8-TC0012 | | BASIC ASSY HOTPLATE 24" | TMHP4 |
| | I8-TC0014 | | BASIC ASSY HOTPLATE 36" | TMHP6 |
| 11 | 2A-Z0314 | 4 | FOOT, 4 IN DIE CAST | TMHP2 |
| 12 | I4-Z6024 | 1 | PAN-12 | TMHP2 |
| | I4-Z6025 | | PAN-24 | TMHP4 |
| | I4-Z6026 | | PAN-36 | TMHP6 |
| 13 | 2C-8833 | AR | SCREW 8-18X1/2 HEX STL NP | TMHP2 |
| 14 | 2R-Z13014 | 2 | KNOB, MANUAL GAS | TMHP2 |
| | | 4 | | TMHP4 |
| | | 6 | | TMHP6 |
| 15 | 2M-Z12936 | 1 | GRAPHIC PANEL, 12" HTPLT | TMHP2 |
| | 2M-Z12937 | | GRAPHIC PANEL, 24" HTPLT | TMHP4 |
| | 2M-Z12938 | | GRAPHIC PANEL, 36" HTPLT | TMHP6 |
| 16 | I4-Z6012 | 1 | FRONT PANEL-12 | TMHP2 |
| | I4-Z6013 | | FRONT PANEL-24 | TMHP4 |
| | I4-Z6014 | | FRONT PANEL-36 | TMHP6 |

**IMPORTANT: WHEN ORDERING, SPECIFY VOLTAGE OR TYPE GAS DESIRED
INCLUDE MODEL AND SERIAL NUMBER**

PAGE 1
OF 2

Some items are included for illustrative purposes only and in certain instances may not be available.

PARTS LIST

October 1, 2008, Rev -

MODEL: TMHP2, TMHP4, TMHP6, Gas Hotplates

| Fig No. | Part No | Qty | Description | Application |
|---------|-----------|-------|--------------------------|-------------|
| 17 | 2V-Y8832 | 2 | VALVE-MANUAL GAS | TMHP2 |
| | | 4 | | TMHP4 |
| | | 6 | | TMHP6 |
| 18 | 2A-Z0790 | 1 | FITTING-STRAIGHT | TMHP2 |
| | | 2 | | TMHP4 |
| | | 3 | | TMHP6 |
| 19 | 2V-6671 | 2 | VALVE-LINCOLN BRASS#3817 | TMHP2 |
| | | 4 | | TMHP4 |
| | | 6 | | TMHP6 |
| 20 | 2V-Z0869 | 1 | TUBE 3/8 DIA | TMHP2 |
| | | 2 | | TMHP4 |
| | | 3 | | TMHP6 |
| 21 | 2A-Y3961 | 1 | ORIFICE FITTING | TMHP2 |
| | | 2 | | TMHP4 |
| | | 3 | | TMHP6 |
| 22 | 2A-Y3297 | 2,4,6 | ORIFICE #46 NAT | ALL |
| | 2A-Z1455 | 2,4,6 | ORIFICE #54 LP | ALL |
| 23 | 18-TC0011 | 1 | FRONT BULLNOSE ASSY 12" | TMHP2 |
| | 18-TC0013 | | FRONT BULLNOSE ASSY 24" | TMHP4 |
| | 18-TC0015 | | FRONT BULLNOSE ASSY 36" | TMHP6 |

**IMPORTANT: WHEN ORDERING, SPECIFY VOLTAGE OR TYPE GAS DESIRED
INCLUDE MODEL AND SERIAL NUMBER**

PAGE 2
OF 2

Some items are included for illustrative purposes only and in certain instances may not be available.



Warranty Statement

This warranty is effective on all Toastmaster equipment sold on or after July 1, 2006, and supersedes all previous warranties.

Toastmaster warrants equipment that it manufactures to be free from defects in material and workmanship. Toastmaster's obligation is limited to repairing or replacing, at Toastmaster's option, without cost to the customer, any part found to be defective, as well as any labor or material expense required to replace the part.

Length of Warranty

This warranty is effective for a period of 18 months from the date of shipment from Toastmaster, or 12 months from the date of purchase by the end user, whichever is earlier.

Exceptions

- This warranty is valid only for the original end user owner/operator of the equipment.
- This warranty does not apply to normal maintenance functions, including (but not limited to) improper operation, installation or the use of an improper utility supply.
- This warranty is valid only if the equipment is used in a commercial setting. The equipment is designed and constructed for commercial use by trained professionals only. Any use of the equipment in private or domestic applications immediately voids this warranty.
- This warranty does not apply to any parts, labor and material expenses for service that is not pre-approved and performed by a Toastmaster authorized service agent. Any such service immediately voids this warranty.
- This warranty does not apply to any parts, labor and material expenses associated with the installation of parts that are not factory-approved for use in the equipment. Any use of such parts immediately voids this warranty.
- This warranty is not valid if terms of payment have not been met.
- For warranty service on Pop-up toasters and light countertop equipment, an exchange program would supersede a service call. Please find Warranty Exchange Program' authorization to follow. (http://www.toastmastercorp.com/filespdfcat/warranty_exchange_2008.pdf)

Toastmaster reserves the right to change the design and specifications of this equipment or any related documentation at any time. The end user is not entitled to upgrades resulting from these changes.

This warranty is exclusive and supersedes all other warranties for the equipment, both expressed and implied. There are no implied warranties of merchantability or of fitness for a particular purpose.

The foregoing is Toastmaster's sole and exclusive obligation and the end user sole and exclusive remedy for any action including breach of contract or negligence. In no event shall Toastmaster be liable for a sum in excess of the purchase price of the equipment, or for any prospective or lost profits of the end user.

 is a registered trademark of Toastmaster, A Middleby Company. All rights reserved.

INSTRUCTIONS POUR L'ALLUMAGE

L'appareil est équipé de veilleuses d'allumage qui brûlent en permanence. Ces veilleuses sont situées devant chaque brûleur sur les Modèles TMHP2, TMHP6. Les veilleuses devraient être allumées dès que le gaz est ouvert au moyen du robinet d'arrêt manuel.

1. Placez les boutons en position "OFF".
2. Allumez les veilleuses à l'aide d'un briquet.
3. Les robinets des veilleuses sont situés sur le conduit installé à l'avant de l'unité, derrière le panneau frontal. Pour accéder aux robinets, retirez le panneau frontal en dévissant les quatre (4) vis le retenant au cadre. Tournez les vis de réglage situées à l'avant des robinets des veilleuses. Les veilleuses devront être réglées de façon à ce que la flamme soit bleue et courte (un quart de pouce de haut) pour obtenir un bon allumage les brûleurs.
4. Si une ou des veilleuses sont éteintes, fermez le gaz, attendez 5 minutes et reprenez les étapes (1) à (3).
5. Installez le panneau frontal sur l'avant du cadre.

RÉGLAGE DES BRÛLEURS

Retirez le panneau frontal afin de pouvoir accéder aux obturateurs d'air principaux. Lorsque le robinet de contrôle du brûleur frontal est en position "ON", fermez les obturateurs d'air afin d'obtenir une flamme bleue dont les extrémités sont lumineuses et de façon à ce que la flamme ne soit pas jaune. Serrez ensuite les vis de serrage. Reprenez cette procédure pour le brûleur arrière.

RÉGLAGE DE L'UNITÉ POUR L'UTILISATION AU PROPANE

Les unités sont envoyées avec les couvercles d'orifices et le régulateur pour une utilisation au gaz naturel (à 152 mm de colonne d'eau - 6 pouces). Pour convertir l'unité au propane, suivez les instructions ci-dessous:

1. Réglez la pression de sortie du régulateur à 254 mm de colonne d'eau (10 pouces). Un tuyau de 1/8 de pouce sur le conduit peut être retiré pour y connecter une jauge de pression. Retirez le couvercle rainuré du régulateur de pression et insérez-y la prise. Remplacez le couvercle sur le régulateur et branchez sur le conduit. Le régulateur est maintenant réglé à .254 mm de colonne d'eau (10 pouces).
2. Retirer orifices de gaz naturel, # 46 pour tous les modèles, et d'installer orifices propane, peinte en noir, (# 54 pour tous les modèles excepté), situé dans un sac à l'extérieur de la face avant. Afin de supprimer les orifices de gaz naturel:
 - a. Retirez les grilles et les brûleurs.
 - b. Retirez les orifices des robinets manuels et des raccords sur les tuyaux à gaz et remplacez-les avec les orifices à propane.
 - c. Réinstallez les brûleurs et les grilles.

PROCÉDURE DE FONCTIONNEMENT

Chaque brûleur se livrer à 22,000 BTU / HR de la chaleur sur tous les modèles et est contrôlé par un manuel On / Off valve. Le bouton de commande de droite commande le brûleur avant et le bouton de contrôle de gauche contrôle le brûleur arrière sur tous les modèles. Après que le pilote est une fois allumé et réglé, les brûleurs seront automatiquement s'enflammer en tournant la molette de commande vers n'importe quelle position entre On et Off.

NETTOYAGE DE L'EXTÉRIEUR (Acier inoxydable seulement)

La surface externe peut être nettoyée en utilisant un linges propre et doux. Les décolorations peuvent être nettoyées à l'aide d'un agent nettoyant non abrasif. Les grilles des brûleurs et l'égouttoir peuvent être retirés pour être nettoyés.

MAINTENANCE ET RÉPARATIONS

Contactez l'usine ou l'un de ses représentants, ou bien encore une société de services locale pour la maintenance et les réparations nécessaires.

CANALISATIONS DE GAZ

Les canalisations de gaz devraient être neuves, propres, de taille adéquate et être installées de façon à fournir une alimentation en gaz suffisante pour l'appareil. Si l'appareil doit être connecté à des canalisations déjà existantes, elles devraient être vérifiées pour déterminer si leur capacité est adéquate. La pâte lubrifiante ne devrait être utilisée qu'avec parcimonie et seulement sur le filetage extérieur des tuyaux. Les pâtes utilisées devraient être résistantes à l'action des gaz basse pression. **AVERTISSEMENT** : Toutes les saletés ou particules de métal dans les canalisations de gaz de l'appareil endommageront le robinet automatique et affecteront son fonctionnement. Lorsque vous installez cet appareil, ainsi que les tuyaux et raccords, assurez-vous qu'ils sont exempts de toute saleté à l'intérieur.

DÉGAGEMENT

Minimum distances aux mur pour les côtés et le dos des modèles contenus en ce manuel seront comme suit:

| | | | |
|---------------------|----|-----------------|-----|
| Plaques Chauffantes | 9" | Combustible | Mur |
| | 0" | Non-Combustible | Mur |

RÉGULATEUR DE PRESSION

Un régulateur de pression convertible réglé à 152 mm de colonne d'eau (6 pouces) pour être utilisé avec du gaz naturel est fourni avec l'appareil. (Pour le LP modèle le régulateur est placé pour 10" pression de eau colonne.) Reliez le régulateur au tuyau d'alimentation situé à l'arrière de l'unité et assurez-vous que la flèche du flux de gaz sur le régulateur pointe vers le conduit de distribution. L'alimentation de gaz doit ensuite être connectée au régulateur. Un robinet de 1/8 de pouce est installé sur le conduit de distribution pour vérifier la pression. Il est possible d'accéder au conduit de distribution en retirant le panneau frontal.

ROBINET D'ARRÊT MANUEL

Un robinet d'arrêt manuel devrait être installé en amont de l'unité, à environ 183 cm (6 pieds) de l'appareil. Ce robinet n'est pas fourni.

CONNEXION DE LA CANALISATION D'ALIMENTATION DE GAZ

L'entrée de gaz pour cet appareil est scellée à l'usine pour éviter que des saletés ne pénètrent dans l'unité. Gardez la protection en place jusqu'à ce que vous soyez prêt à effectuer la connexion à la canalisation d'alimentation de gaz.

RECHERCHE DE FUITES DE GAZ

Il est possible d'utiliser une solution à base d'eau et de savon ou tout autre matériau acceptable pour localiser les fuites de gaz. Des allumettes, des bougies ou autres sources d'ignition ne devraient en aucun cas être utilisées dans ce but.

ALIMENTATION D'AIR

Vous devrez prévoir une alimentation en air adéquate.

OUVERTURES EN DESSOUS DE L'UNITÉ

Assurez-vous que les ouvertures situées en dessous de l'unité ne sont pas obstruées. Elles sont primordiales pour une combustion adéquate et un bon fonctionnement de l'appareil.

HOTTE ASPIRANTE

Il est primordial que des installations soient prévues pour l'évacuation des gaz et fumées.

ENTRÉE DE GAZ DES CUISINIÈRES À GAZ À PLAQUE OUVERTE

Pour le gaz naturel: La pression de sortie du régulateur est à 152 mm de colonne d'eau (6 pouces). Pour le propane: La pression de sortie du régulateur est à 254 mm de colonne d'eau (10 pouces).

Remarque : L'appareil est équipé de couvercles d'orifices pour le gaz naturel. Un autre ensemble de couvercles est fourni pour utiliser l'appareil avec du propane. Les couvercles pour le propane sont situés sur le panneau frontal. Les usine régles modèles de LP n'incluent pas les capots de gaz naturel.

DONNÉES GÉNÉRALES D'INSTALLATION

MISE EN GARDE



Cet équipement est conçu et vendu pour une utilisation commerciale seulement, et pour être utilisé par un personnel formé et expérimenté à son fonctionnement. Cet équipement n'est pas vendu pour être utilisé à la maison ou par le public général dans les lieux de restauration. Pour tout équipement pouvant être utilisé par le public général, prière de contacter l'usine.

Cet appareil à gaz est équipé pour les types de gaz indiqués sur la plaque signalétique à l'avant de l'appareil. Il est envoyé réglé pour une utilisation au gaz naturel.

L'installation de l'appareil devrait être conforme au CODE NATIONAL DU GAZ COMBUSTIBLE "ANSI Z223.1 - DERNIÈRE ÉDITION", AINSI QU'À TOUTES LES RÈGLES ET RÉGLEMENTATIONS DE LA COMPAGNIE DE GAZ LOCALE.

L'INSTALLATION AU CANADA DEVRAIT ÊTRE CONFORME AU CODE D'INSTALLATION AU GAZ NATUREL ACTUEL CAN/CGA-B149.1 OU AU CODE D'INSTALLATION AU PROPANE CAN/CGA-B149.2, AINSI QU'ÀUX CODES LOCAUX, LE CAS ÉCHÉANT.

AVERTISSEMENT: L'installation, le réglage, la modification, la réparation ou l'entretien incorrect de cet appareil peut causer des dommages matériels, des blessures ou la mort. Lire attentivement les instructions d'installation, de fonctionnement et d'entretien avant de procéder à son installation ou entretien.

ESURE DE SÉCURITÉ
NE PAS ENTREPOSER NI UTILISER DE ESSENCE NI AUTRES VAPEURS OU LIQUIDES INFLAMMABLES À PROXIMITÉ DE CET APPAREIL OU DE TOUT AUTRE APPAREIL. TENIR TOUT COMBUSTIBLE HORS DU VOISINAGE DE L'APPAREIL.

Cet appareil, le régulateur de pression et le robinet d'arrêt individuel doivent être déconnectés du système d'alimentation de gaz pendant les essais de pression du système lorsque les pressions d'essai sont supérieures à 0.5 PSIG. Cet appareil et le régulateur de pression doivent être coupés de l'alimentation de gaz en fermant le robinet d'arrêt manuel pendant les essais de pression du système d'alimentation de gaz lorsque les pressions d'essai sont égales ou inférieures à 0.5 PSIG. Pour votre protection, nous recommandons qu'une agence spécialisée installe votre appareil. Le personnel de cette agence devrait connaître les installations à gaz ainsi que les exigences locales concernant le gaz. Dans tous les cas de figure, la compagnie locale de gaz devrait venir approuver l'installation finale. De plus, des instructions détaillées indiquant la marche à suivre dans le cas où l'opérateur détecterait une odeur de gaz devraient être affichées bien en vue à proximité de l'unité. Vous pouvez obtenir ces instructions auprès de votre fournisseur local de gaz.

MISE À NIVEAU DE L'APPAREIL

Les unités sont envoyées avec les pieds détachés. Pour installer les pieds, retirez les grilles, couchez l'appareil sur le côté et vissez les pieds dans les logements situés sous l'appareil. Mettez l'unité à niveau en réglant les quatre (4) pieds qui doivent être réglés à 4.45 cm (1.75 pouce) pour que l'unité soit parfaitement alignée et de niveau avec les autres unités séries Star-Max.

MISE EN GARDE

NE PAS RETIRER LES PIEDS.



SYMBOLE DE SÉCURITÉ



Ces symboles sont utilisés pour souligner à l'utilisateur les instructions d'utilisation ou d'entretien importantes contenues dans le manuel qui accompagne l'appareil.

CONSERVEZ CE MANUEL POUR RÉFÉRENCE FUTURE

AVIS

L'utilisation de toute pièce autre que les pièces d'origine STAR dégage le fabricant de toute responsabilité.

Toastmaster se réserve le droit de changer les spécifications et la conception du produit sans préavis. Ces changements ne donnent pas le droit à l'acheteur d'obtenir les changements, améliorations, ajouts ou remplacements correspondants pour l'équipement acheté préalablement.

Du aux modifications périodiques de dessins, méthodes, procédures, règles et réglementations, les spécifications contenues dans ce manuel sont susceptibles de changer sans préavis. Quoique Toastmaster exerce la bonne foi de fournir le renseignement correct, Toastmaster n'est pas responsable pour les erreurs ou les omissions dans le renseignement pourvu ou les conclusions tirées à la suite de l'utilisation des spécifications. En utilisant le renseignement pourvu, l'utilisateur assume tous les risques en relation avec telle utilisation.

ENTRETIEN ET RÉPARATIONS

Contactez votre détaillant local pour les réparations ou l'entretien requis. Assurez-vous d'avoir le numéro de modèle, le numéro de série, le voltage et la date d'achat pour un service plus rapide. Entrez l'information requise ci-dessous pour référence rapide.

Agent de service autorisé

Voir la liste pourvue avec l'appareil

Ou

Pour une liste mise à jour voir :

Site web : www.star-mfg.com
Courriel : Service@star-mfg.com

N° de modèle

N° de série

Voltage

Date d'achat

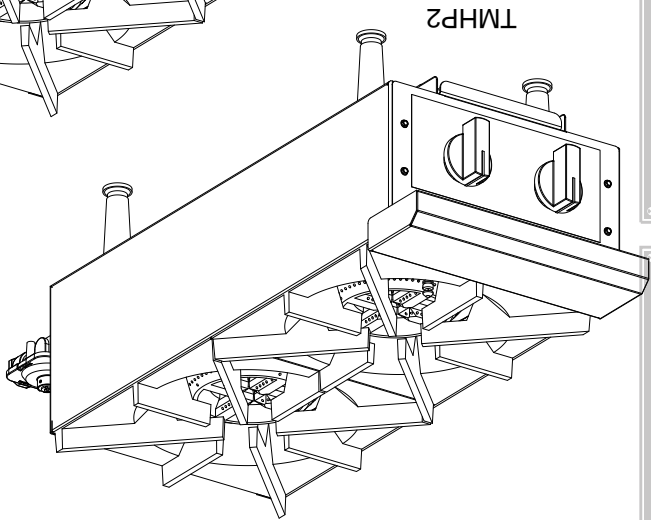


PLAQUES CHAUFFANTES AU GAZ

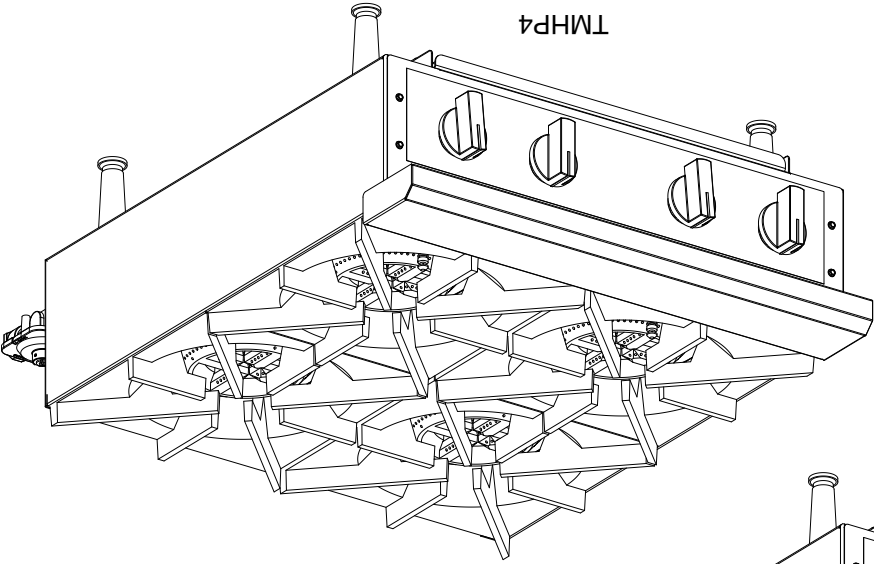
Modèles
TMHP2, TMHP4, TMHP6

Instructions d'installation et d'opération

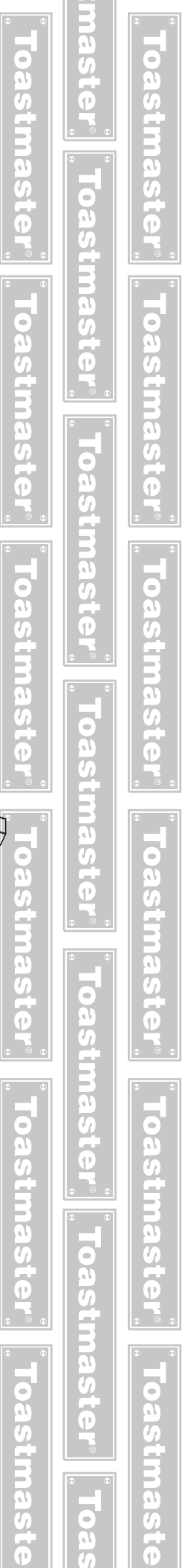
2M-Z12969 Rev. - Oct. 1, 2009



TMHP2



TMHP4



Toastmaster

est une marque de Registered Toastmaster, la Compagnie A Middleby. Tous droits réservés.